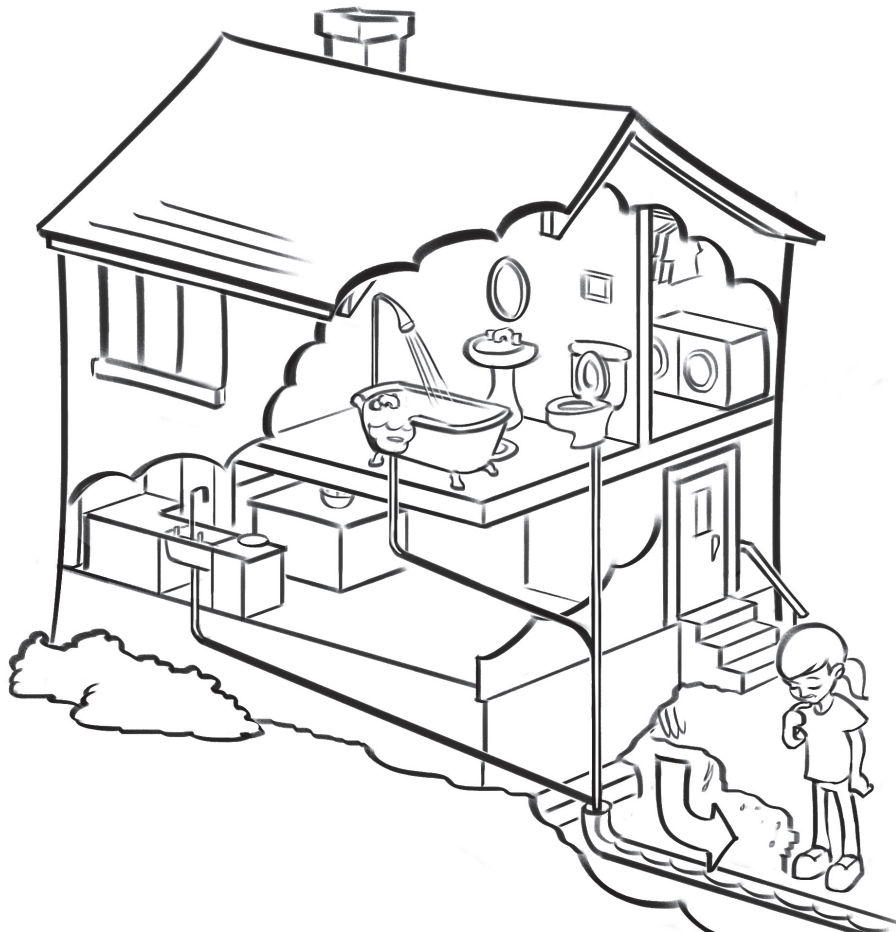


Biosolids Colouring Book

The Region is embarking on a multi-year process to develop a new Biosolids Strategy and we need everyone to be involved to help identify the best possible solutions.

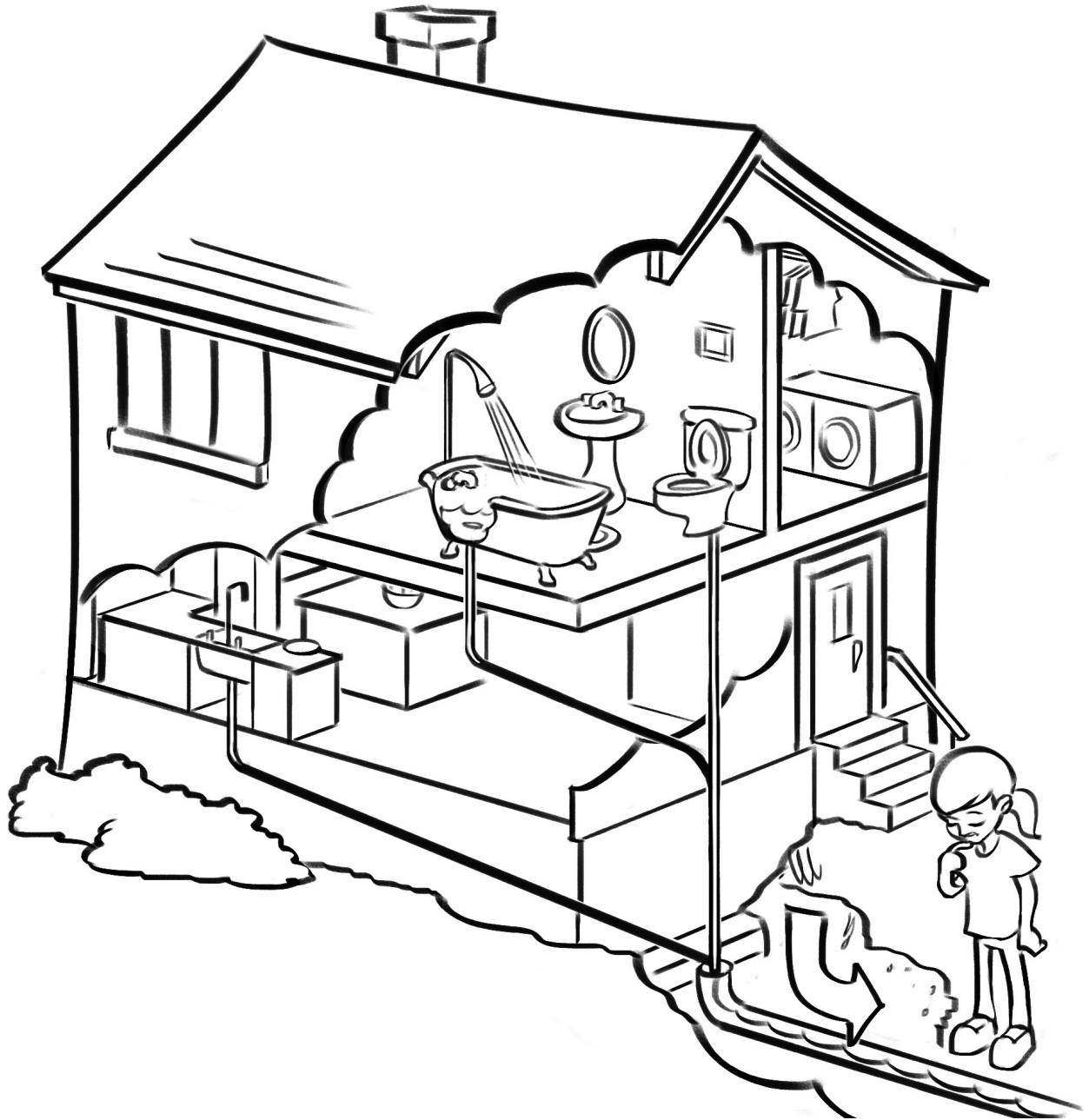


Visit:
www.regionofwaterloo.ca/biosolids

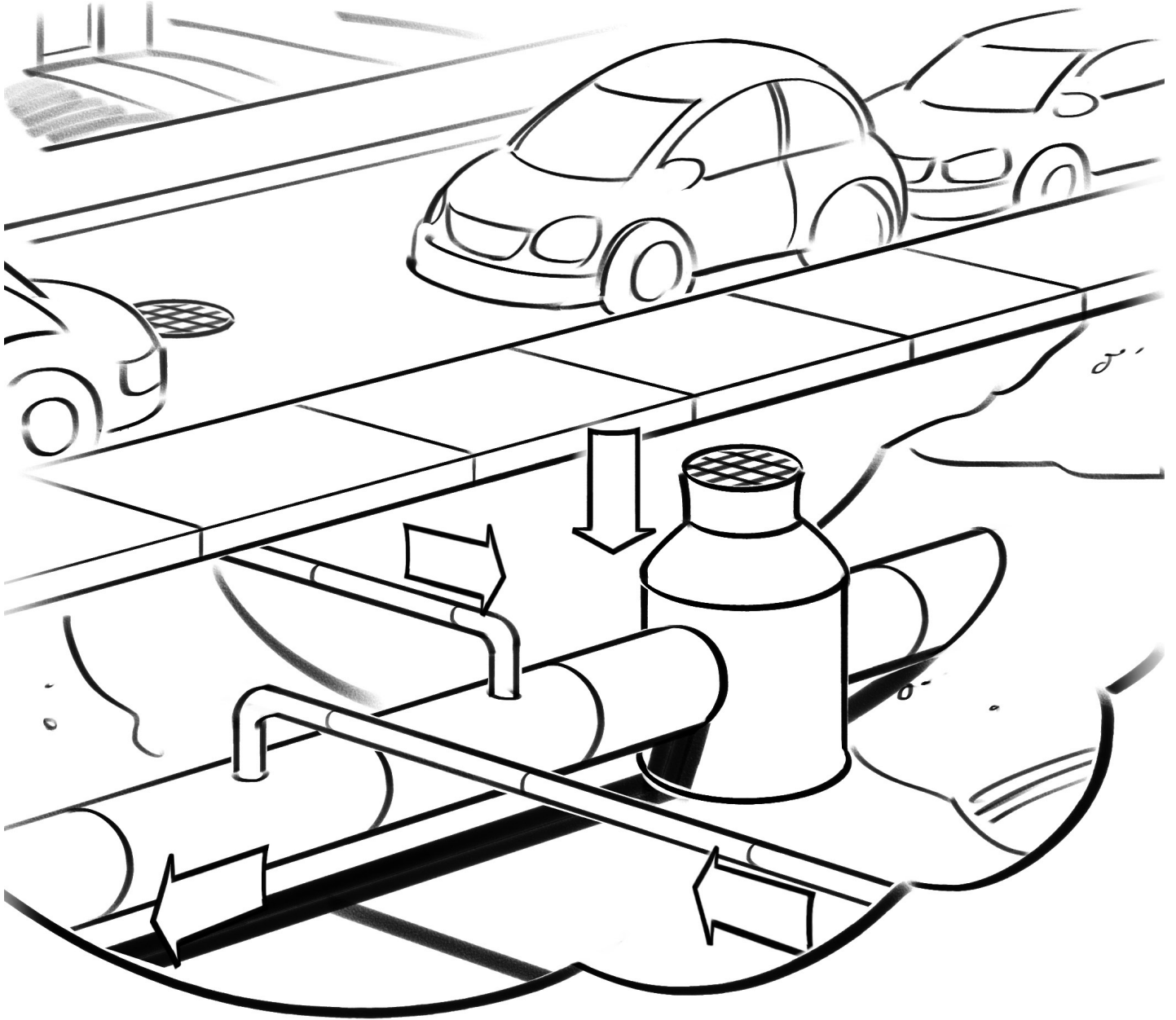
BIOSOLIDS
Strategy 



Where Does Our Wastewater Go?

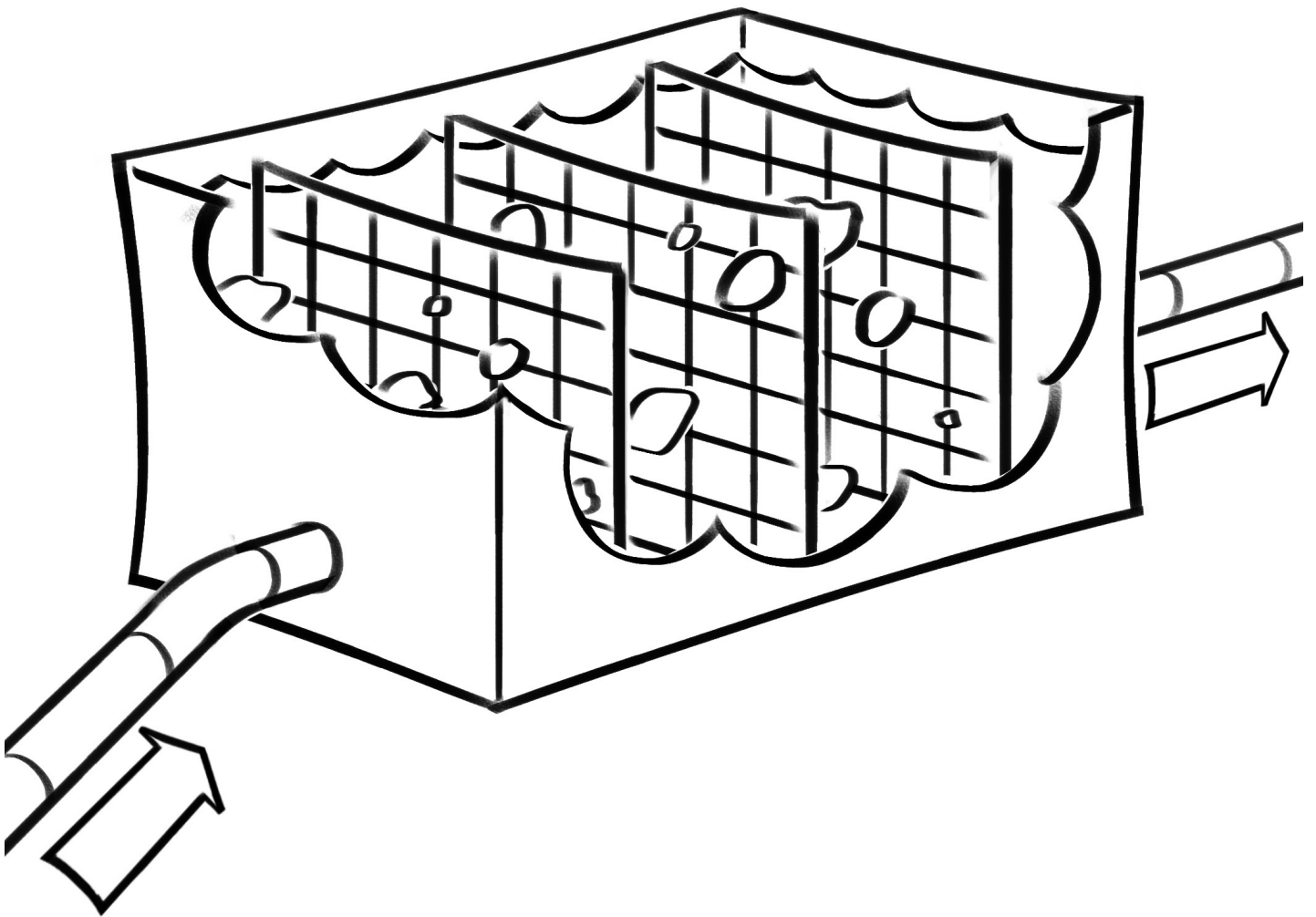


Network of Underground Collection Pipes



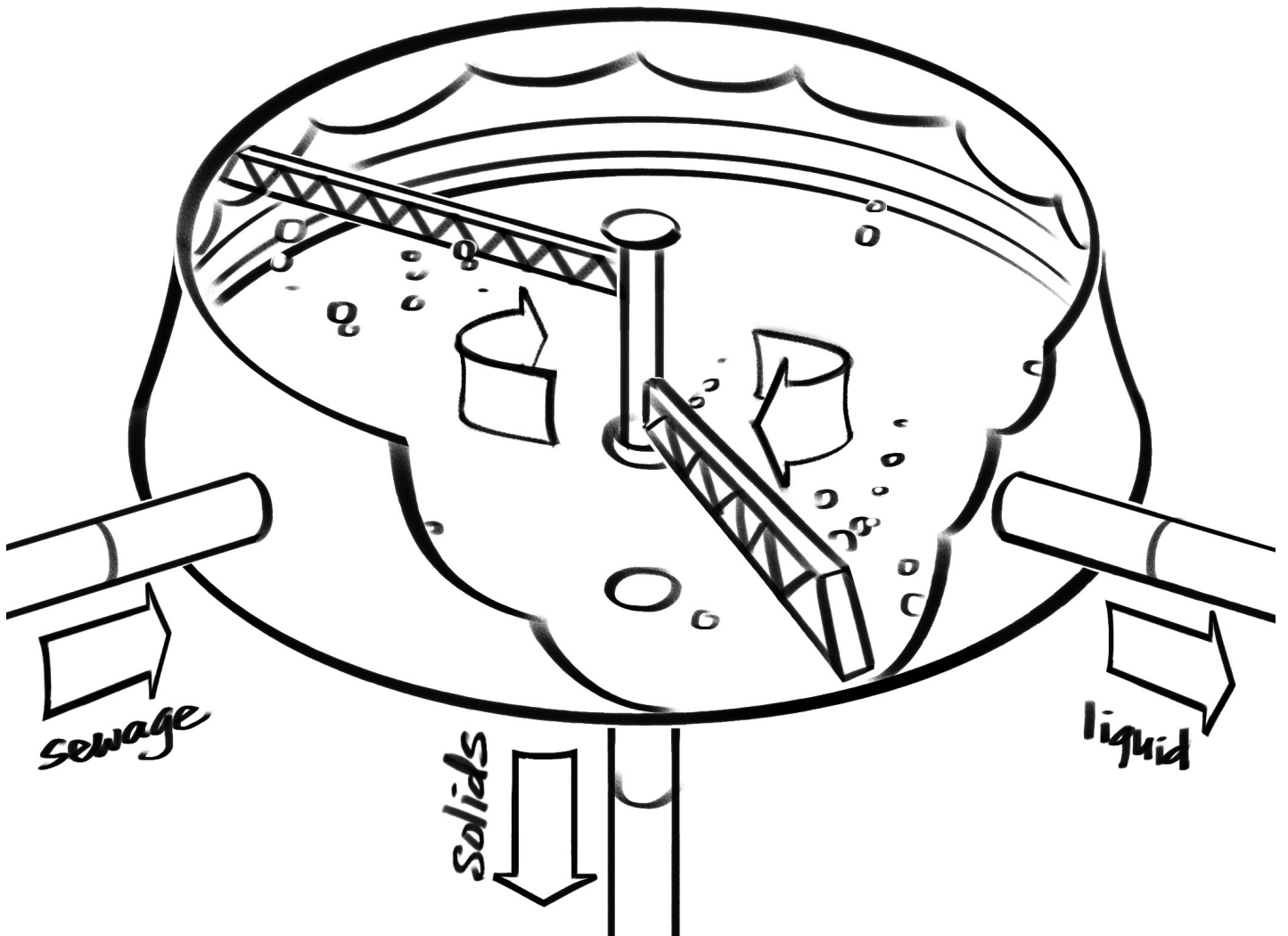
Screening

Screens that filter out the trash in the sewage.



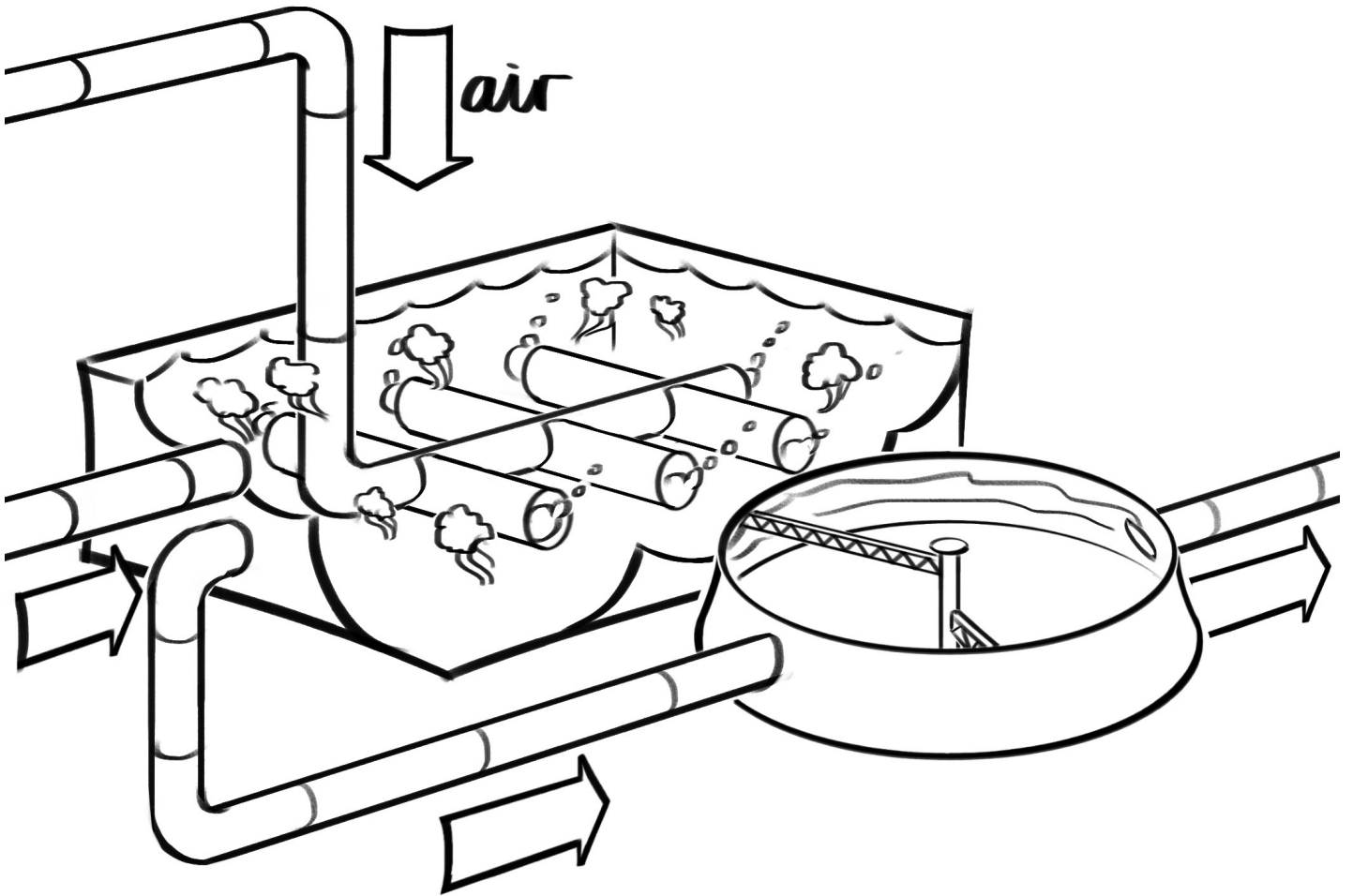
Primary Treatment

Some solid wastes that get through to this stage settle to the bottom of a tank. Dissolved organic matter in the wastewater overflows to the next treatment step.



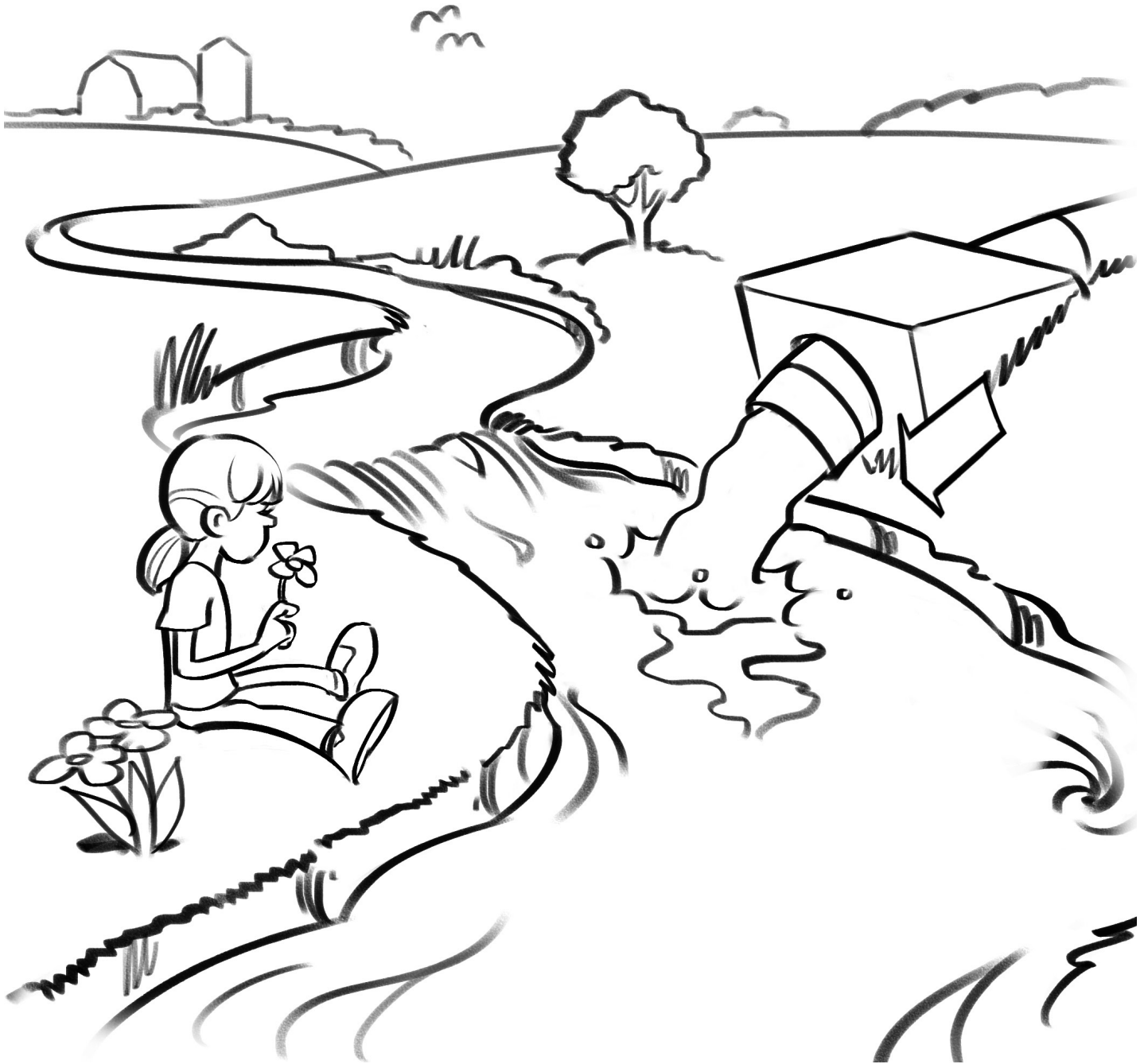
Secondary Treatment

Nature takes over! Microscopic bugs in an aeration tank clean the water by eating the dissolved organic matter. Since they need to breathe, they are fed bubbles of air. The next tank allows them to settle out.

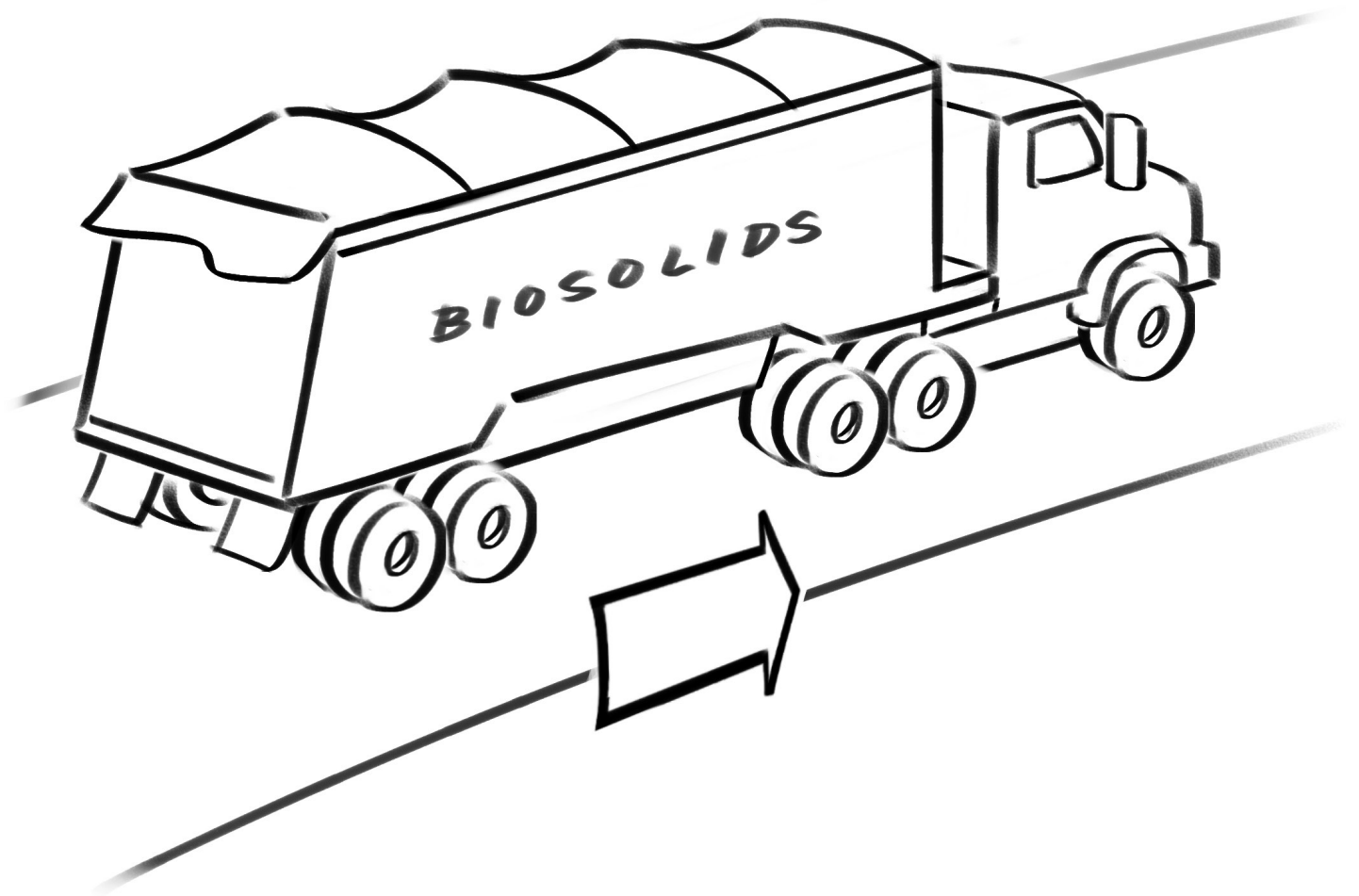


The Grand River Watershed

The Grand, Speed and Nith rivers need to be protected. Treated wastewater that meets standards is returned here.

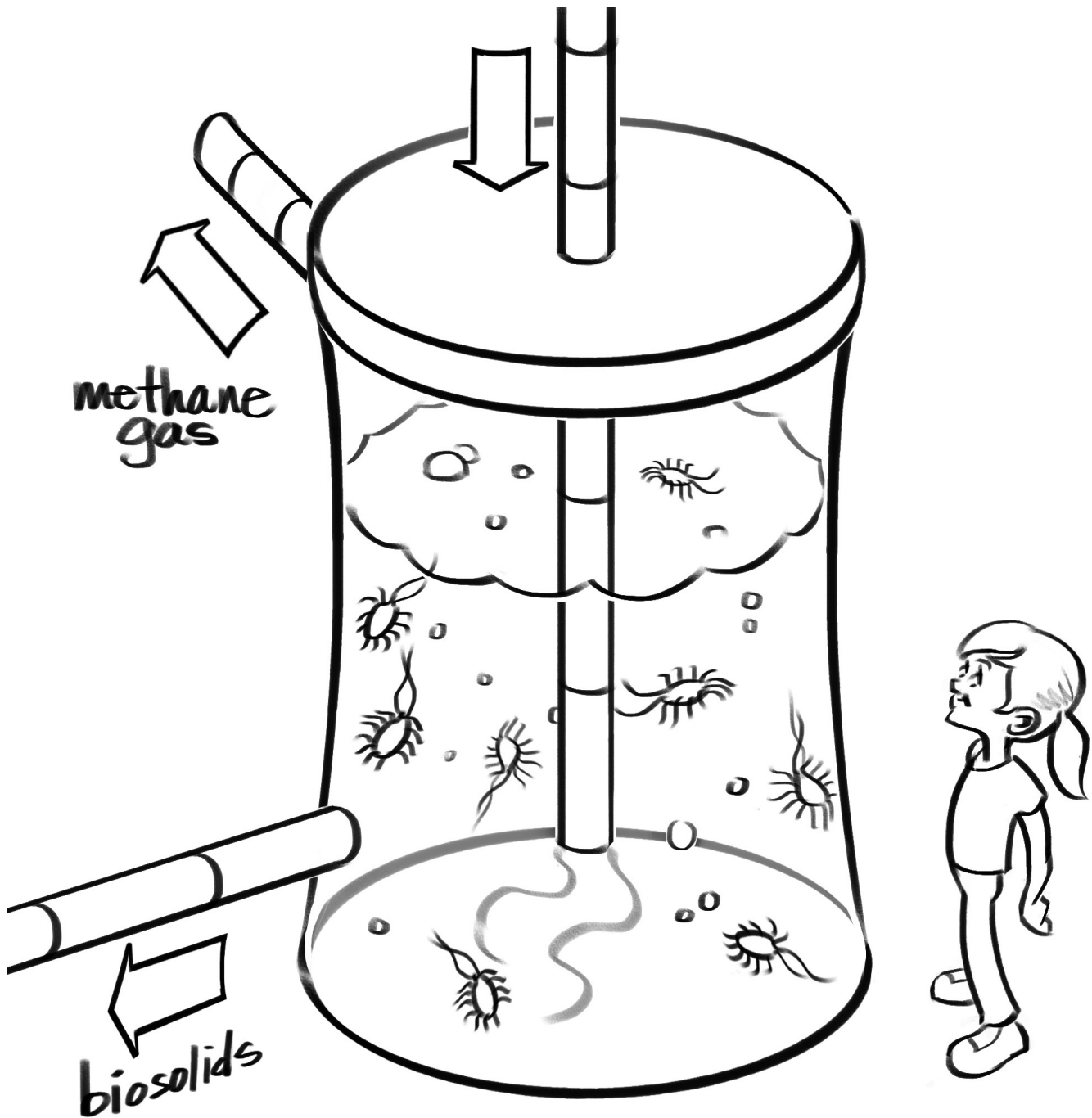


Transport Truck - Biosolids



Digester

Settled material needs treatment too. Most of the Region's settled material is processed through an anaerobic digester that contains more microscopic bugs (but these ones don't need air). The left over material is called Biosolids! The anaerobic digesters also produce methane - a renewable source of energy.





facebook.com/ROWWaterlooServices



[@RegionWaterloo](https://twitter.com/RegionWaterloo)



Region of Waterloo